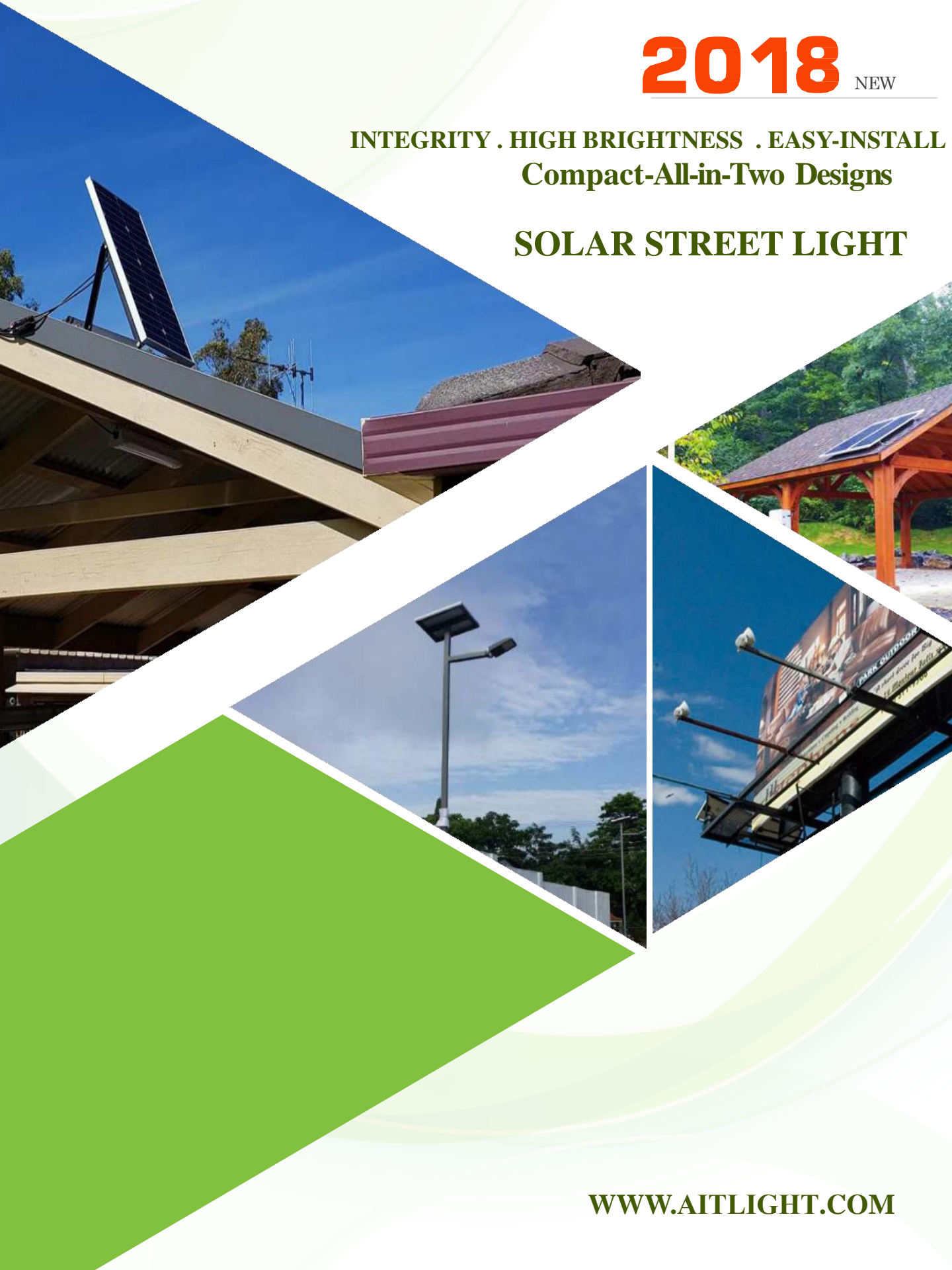


2018 NEW

**INTEGRITY . HIGH BRIGHTNESS . EASY-INSTALL
Compact-All-in-Two Designs**

SOLAR STREET LIGHT



WWW.AITLIGHT.COM

All In Two(AIT) Solar LED Street Light

15W | 20W | 30W | 40W | 50W | 60W

With Separate Solar PV



Key Advantages

PROGRAMMABLE

Smart solar controller built-in, power brightness and lighting time are adjustable via remote controller.

MICROWAVE SENSOR

More area can be covered than PIR sensor; longer distance and wider sensitive angle more stable than PIR.

EXTERNAL SOLAR PANEL

Solar panel separated from light allows to increase power to meet the solar radiations in different latitude and longitude. Max 200W solar panel is allowed for 50W LED with 6200lm output.

CONNECTION

MC4 male & female plugs directly to 18V solar panel. quick and easy for connection. 25mm² power cord for less voltage drop.

COMPACT SYSTEM

Battery and solar controller, sensor are built-inside of light, only need to be connected to 18V system, NO more other operation, easy, simple and quick installation.



Remote Setting



Microwave Sensor



MC4 Plugs Connection



Lithium Battery



12 Hrs/Day
130 LM/W

Applications:

- * Street lighting
- * Car Park & Perimeter Lighting
- * Villa path Lighting
- * Express way lighting
- * Construction Sites
- * Rural & Remote Area Lighting
- * Outdoor Shopping Lighting



Model Selection:

Model No.	AT-S15W	AT-S20W	AT-S30W	AT-S40W	AT-S50W	AT-S60W
Fixture IP	IP67					
LED Power Max	15W	20W	30W	40W	50W	60W
Luminous Flux	>2,200lm	>2,800lm	>3,600lm	>5,200lm	>6,200lm	>7,200lm
Beam angle	140*70 Degrees					
Color Temp.	2700K ~ 6500K Optional					
CRI	>83					
LED Brand	Philips SMD3030					
LED Qty	48Pcs		72Pcs		90Pcs	
Battery Capacity	195WH 12V	293WH 12V	391WH 12V	488WH 12V	548WH 12V	635WH 12V
Charge Time	6 Hours					
Max Discharge Time	>48 Hours					
Controller Type	PWM type with sensor		MPPT type with sensor			
Solar Panel(Poly)	40W 18V	50W 18V	60W 18V	80W 18V	100W 18V	120W 18V
V.mp. of PV	18V	18V	18V	18V	18V	18V
I.mp. of PV	2.22A	2.78A	3.33A	4.45A	5.56A	6.67A
PV Size(mm)	670*390*25	620*535*30	670*560*25	760*670*30	1000*680*30	1050*670*30
Flexible PV Option	Thin Film 40W Semi Flex 40W	Thin Film 52W Semi Flex 50W	Thin Film 65W Semi Flex 60W	Thin Film 79W Semi Flex 80W	Thin Film 105W Semi Flex 100W	Thin Film 144W Semi Flex 120W
Working Temp.	-20 ° C ~ +65 ° C					
Lighting Modes	Remote Control Unit					
Pole Height	3~4 M	3~5M	3~6M	4~6M	5~8M	6~12M
Packing	2PCS/CTN, CTN SIZE: 65*32*36CM, QTY/20GP : 720PCS, QTY/40HQ : 1500PCS					



Bill Free



Green Energy



Bug Free



Rechargeable



Eco Friendly

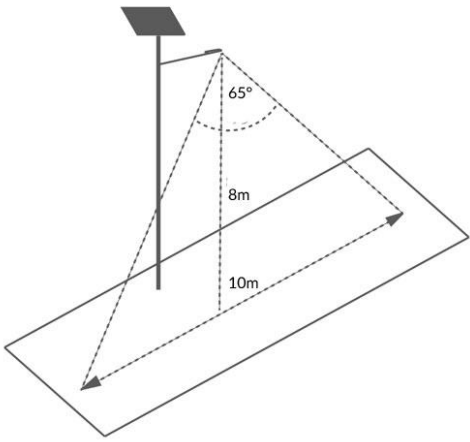


Free Maintain



Integration

Induction Sensor



Microwave (Radar) sensor is adopted in this light in order to save more energy. Energy saving mode is adjustable by the remote control easily. Radar sensor is more sensitive than PIR sensor in much wider angle and longer distance, and it can be triggered easily with slight movements. The best sensitive distance from people / object to light sensor should be within 12 meters.

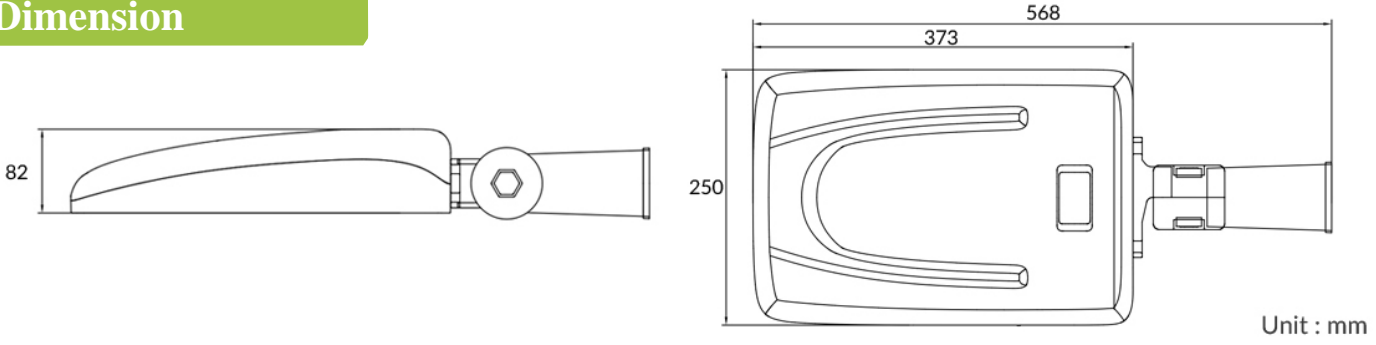
PIR sensor is optional

Inner Structure

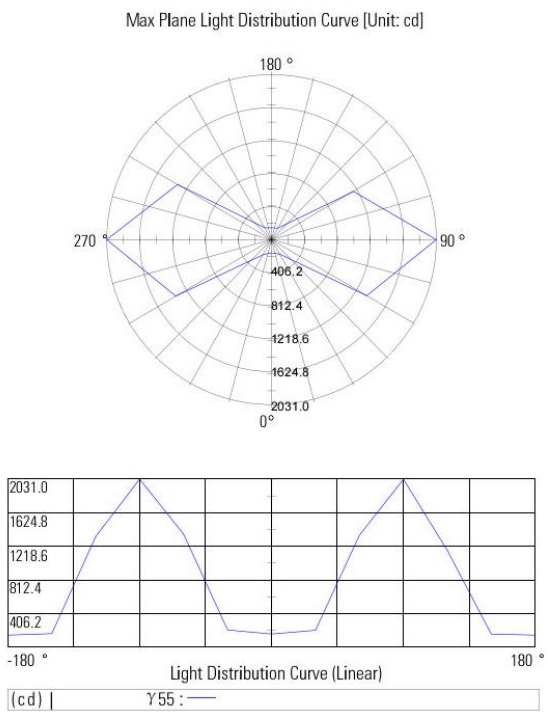
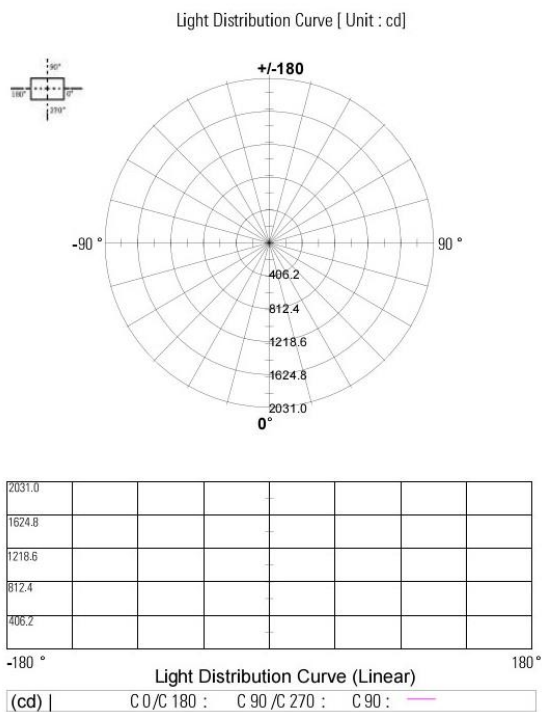


Notice: Solar led flood light has same internal structure as solar led street light

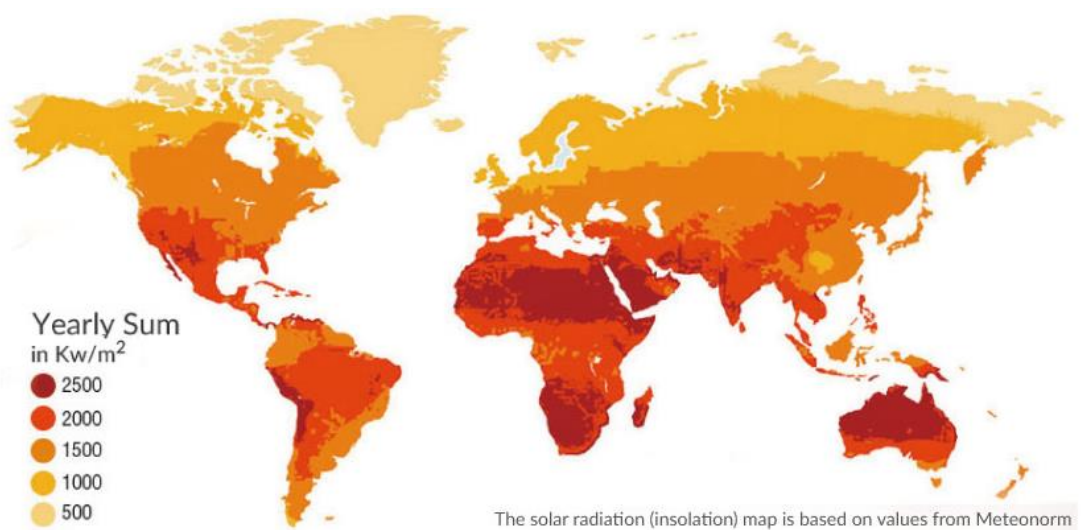
Dimension



IES DATA



Solar Radiation



Proportion Between LED Light and Solar Panel. (For reference only.)

REGION	LIGHTING MODES	LED POWER	SOLAR PANEL	CHARGE TIME
2500	6H 100% + 6H 50%	10W	>20W	5 Hours
2000	6H 100% + 6H 50%	10W	>25W	5 Hours
1500	6H 100% + 6H 50%	10W	>30W	5 Hours
1000	6H 100% + 6H 50%	10W	>40W	5 Hours
500	6H 100% + 6H 50%	10W	>50W	5 Hours

SOLAR BATTEN LIGHTS

Working Mode



This remote controller is mainly used to change the operating power of the lamp, working time, the remote control can also change the delay of the lamp to open, or adjust the output power according to the battery power. However, if you are not a very professional engineer or are not very familiar with this remote control, we strongly recommend that you only make simple settings such as adjusting the power and adjusting the working hours. Otherwise, the lamp may not work properly.

In simple terms, this controller (in the street light) divides the night's working time into three segments. You can set different power and working hours for each segment individually. The working time of each segment can be set to a maximum of 14 hours. Of course, in this case, the settings for the other 2 segments have become invalid. Why, because if you set the first period of time to 12 hours and the power is 80%, but the night time is only 11 hours, the lights will go off in the morning and the other two time periods will be set. Activated.

We recommend that you only adjust the power and working hours of the lamps, for example in the table below. Please mainly look at the settings from B to J. These are 3 time periods. Other settings can be ignored. Please do not change them at random so as to avoid problems.

Please note that each time you press "send" to send a signal, please align the position of the lamp's sensor head. (If there is no sensor head, please aim at the LED light area) and send it successfully. You will hear a "bee" once. If it is unsuccessful, you will hear "bee" twice. If unsuccessful, please reset the control. In the mode, press the "-" and "light" keys simultaneously for three seconds to select the mode of the controller. For lamps with sensors and power greater than 20W, we use the MPPT controller, please select "MES/SES", 10W and 20W, please select "DH/LI/DL/WH"

If you want
4 hours 100% without sensor +
5 hours 10% with sensor 100% +
4 hours 30% without sensor.

The setting should be:

b: 4H
c: 100%
d: 100%
e: 5H
f: 100%
g: 50%
h: 4H
i: 30%
j: 30%

If you want
3 hours 70% with sensor 100% +
6 hours 50% without sensor +
4 hours 30% with sensor 50%

The setting should be:

b: 4H
c: 100%
d: 70%
e: 6H
f: 50%
g: 50%
h: 4H
i: 50%
j: 30%

If you want
6 hours 100% without sensor +
8 hours 50% without sensor

The setting should be:

b: 6H
c: 100%
d: 100%
e: 6H
f: 50%
g: 50%
h: 0H
i: 0%
j: 0%

If you want
6 hours 50% with sensor 100%
(light only work half night time.)

The setting should be:

b: 6H
c: 100%
d: 50%
e: 0H
f: 0%
g: 0%
h: 0H
i: 0%
j: 0%

If you want
12 hours 30% with sensor 100%
only for all night time

The setting should be:

b: 12H
c: 100%
d: 30%
e: 0H
f: 0%
g: 0%
h: 0H
i: 0%
j: 0%

Item	Name	Data scope	Description	Step-length	Unit
a	Bat Type	Li12, Li24	Battery type choosing	1	Volt
b	S-Time-1	0 ~ 15H	The first Sensitive time	1H	Hour
c	S-C-Pow1	0 ~ 100%	The first Sensitive power(when people coming)	10%	Power (percentage)
d	S-L-Pow1	0 ~ 100%	The first Sensitive power(after people Leave)	10%	Power (percentage)
e	S-Time-2	0 ~ 15H	The second Sensitive time	10%	Hour
f	S-C-Pow2	0 ~ 100%	The second Sensitive power(when people	10%	Power (percentage)
g	S-L-Pow2	0 ~ 100%	The second Sensitive power(after people Leave)	10%	Power (percentage)
h	S-Time-3	0 ~ 15H	The third Sensitive time	1H	Hour
i	S-C-Pow3	0 ~ 100%	The third Sensitive power(when people coming)	10%	Power (percentage)
j	S-L-Pow3	0 ~ 100%	The third Sensitive power(after people Leave)	10%	Power (percentage)
k	S-D-Time	0 ~ 250S	Sensitive delay time	10S	Seconds
l	L-Con-V	5 ~ 11V	Light control voltage	1V	Volt
m	L-Con-DT	1 ~ 50Mins	Light control delay time	5M	Mins
n	L-Current	0.15~ 3.42A	LED load current	0.03A	A
o	Smart Pow	0 ~ 1	Smart power control	1	Yes: On No: Off
p	0°C-Chg-P	Yes/no	0°C charging protection	1	Yes: On No: Off
1	Chg-Mode	PWM/DC	Charging mode control	1	PWM: PWM Charging DC: Direct Chging
r	Over-DV	7.5~17v	over-discharging protected voltage	0.1V	Volt
s	Over-DRV	7.5~17v	over-discharging recover voltage	0.1V	Volt
t	Over-CV	7.5~17v	Over-charging voltage	0.1V	Volt
u	Over-CRV	7.5~17v	over-charging recover voltage	0.1V	Volt
v	Re-Def	Yes/No	Restore factory default values	1	Yes: On No: Off

SOLAR STREET LIGHTS

Detailed View



Lithium Battery Pack
High temperature resistant, up to 2000 cycles lifetime. (DCD 70%)
Smart BMS protection.



Philips SMD LED Source
More LEDs is used, driven with lower current, achieving more than 150lm/w.
High efficiency than normal solar lights.



MPPT Solar Controller
Higher charging efficiency than PWM controllers, Ensuring enough power generated for every night,



Switch Button
Aluminium material, anti-UV & Oxidation
High performance.



Adjustable brackets
Marked with digitals, easy to adjust up/down when installation. Flexible for different projects condition



Microwave (Radar) Sensor
More sensitive performance than normal PIR sensor, longer distance and detective angle. IP65 waterproof



48 LEDs



72 LEDs



90 LEDs

SOLAR STREET LIGHTS

Materials



• LUMENS

All in Two Solar LED Street Light is adopting big brand Philips SMD3030 1W as light source. What's more, more than doubled LED is used but LEDs are driven by lower current input. It achieves a super high lumens, up to 150lm/W practically. AIT 20W is equal to same lighting performance as ALL IN ONE 30W, The LED of All In One solar led street light is always used high power 1W with Epistar or Bridgelux LED. All in Two 30W is saying the total led consumption is 30W. All in One 30W is always saying the total quantity of led 1W is 30Pcs. the real power is always much less than power as declared. That is why all in two solar street light is much brighter than all in one type.



• SOLAR PANEL

The solar panel of AIT street light is separated from light head. It makes so convenient for customer to choose the right panel according to sunshine radiation of local environments. This is quite necessary especially customers requires 100% power for whole night. For example, AIT 20W can come with 40W solar panel if does not need long and brightness for whole light, and also AIT 20W can come with 100W solar panel for the area where is lack of sunshine very much, like North of Canada.

AIT solar street light always come with a motion sensor, and only work with 30%+100% for whole 12 hours. never support 6 hours 100% brightness+6 hours 100% which is the most requirements for big projects.

Thanks to separated solar panel, Customer can adjust the position of solar panel in horizontal and vertical position freely and easily. This allows solar panel can be used with the highest efficiency as possible in the best position. Customer can purchase solar panel from Auroras, or buy from their ready supplier, or use solar panel in stock. More flexible for business. What's more, Solar panel and solar light head are connected by MC4 which is the universal connector for solar panel. Distance from solar panel to light is max 40M. Lights can be installed far away from solar panel. Lighting will be anywhere, anytime.

PV Option



LED Street Light with Normal PV

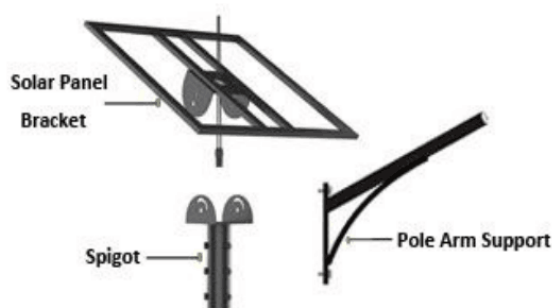


LED Street Light with Flexible PV



LED Street Light with Semi Flex PV

Mounting Bracket-Optional



NINGBO AITLIGHT CO., LTD.



INTEGRITY . HIGH BRIGHTNESS . EASY-INSTALL

One-Stop Solar Energy Solution Provider

SolarCity

AIT ENERGY LIMITED

NINGBO AITLIGHT CO., LTD

Marketing Manager: William.W

Yingfeng Road, Linshan Yuyao Ningbo China 315400

P: +86 189 6832 0056 | Tel: +86 574 8733 9116 |

W: www.aitlight.com

Email: william@aitlight.com